

## SPECIFICATIONS:

BUSHING:  $\varnothing 19\text{mm}$ .  
 CONTACT RATING: 5A @ 250VAC.  
 ELECTRICAL LIFE: 50,000 cycles at full load.  
 CONTACT RESISTANCE: 50m-ohms max. initial @2-4VDC.  
 INSULATION RESISTANCE: 1,000M-ohms min.@500VDC.  
 DIELECTRIC STRENGTH: 2,000V RMS 50~60Hz.  
 IP CLASS: IP40 & IK02 protection.  
 TORQUE: 0.6Nm max. applied to nut.  
 CONSTRUCTION FORM: SPDT.  
 SWITCHING CIRCUIT: 45° 3 positions ON-ON (maintained).  
 OPERATING TEMPERATURE:  $-20^{\circ}\text{C}\sim+55^{\circ}\text{C}$ .

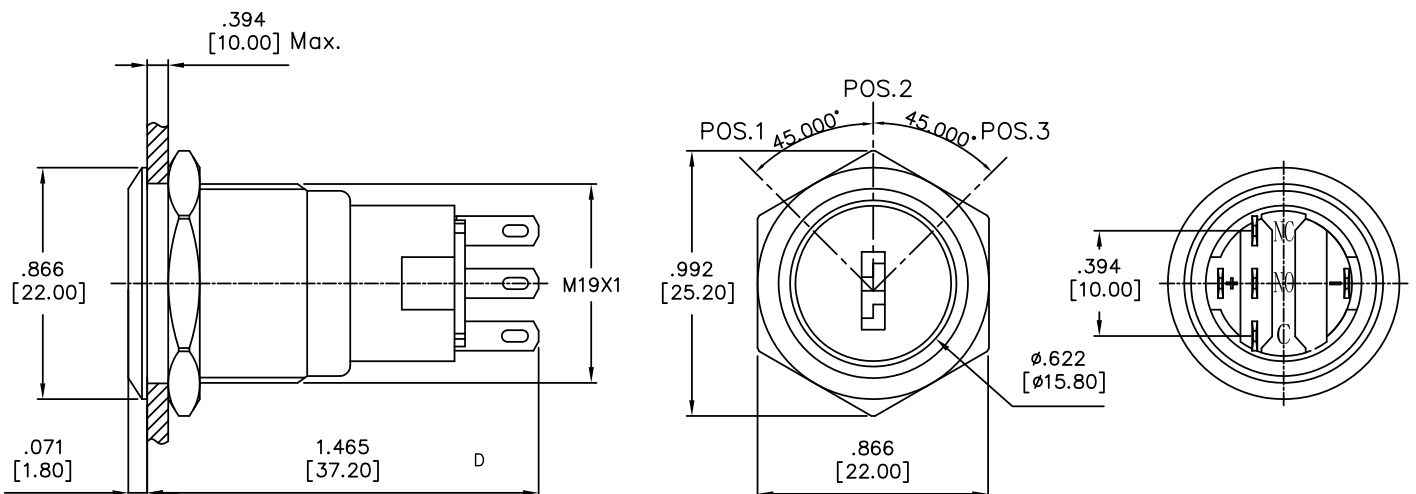


## MATERIALS:

CONTACT: Silver alloy.  
 BUSHING: Stainless steel.  
 BASE: PBT.  
 NUT: Nickel plated brass.

**Art. Nr.**  
**RND 210-00420**

Specifications and Dimensions subject to change



### Key Position

